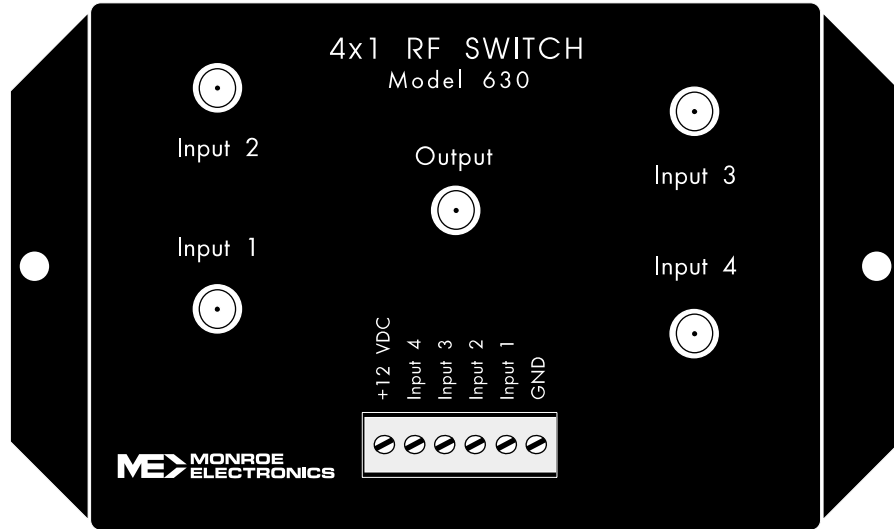


Model 630 4x1 RF Switch Instruction Sheet



Description

Monroe Electronics' Model 630 4x1 RF switch provides 4x1 matrix switching controlled by contact closures to ground.

The switch will respond to a contact closure or a transistor switch to ground or a compatible logic level. The control inputs are buffered to eliminate high output current drive requirements of the controlling device.

The 630 can be controlled by Monroe Electronics program timers, remote controls or CATV Cue Tone receivers.

Installation

1. Mount the unit as desired.
2. Connect the inputs to the appropriate 'F' connectors. Install 75 ohm terminators on the unused inputs. Connect the output to the desired destination.
3. Connect the Monroe Model 427's WH/BK wire to the +12 VDC on the 630, and the BK wire to GND.
4. Connect the appropriate switch contact connection to the desired Input, and the common to the GND connection.
5. Closure of the contact will switch that Input to the Output.

Specifications

Isolation

> 72 dB @ 750 MHz
'F' connectors

Control Inputs

Internally connected to +12 VDC; 30 mA maximum to ground

Power Requirement

117 VAC \pm 10%, 60 Hz.
Power pack output; +12 VDC

Physical

2.0 in H x 3.25 in W x 5.50 in D

630.man 62599 epf